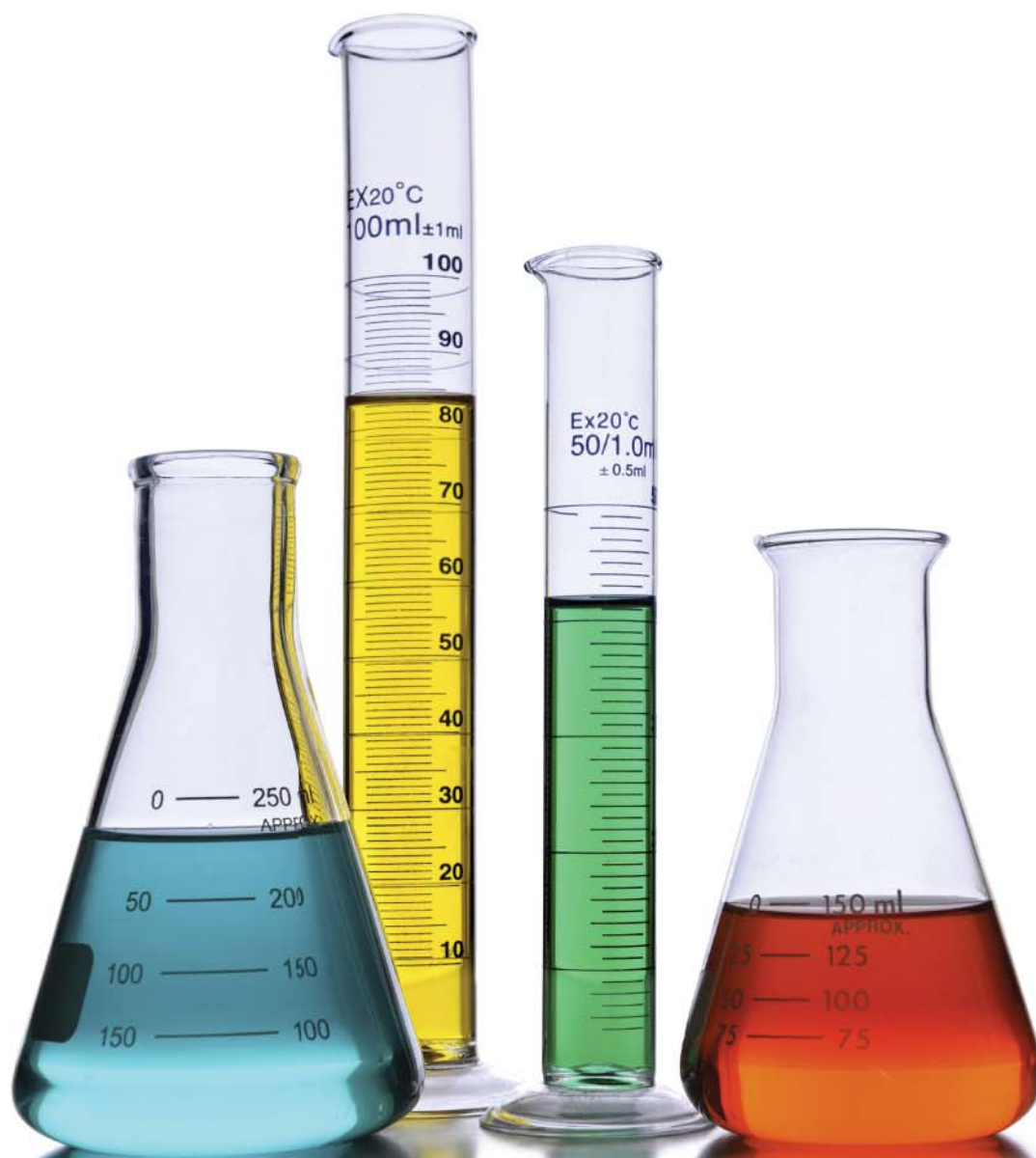


# Ductless Fume Hood Series

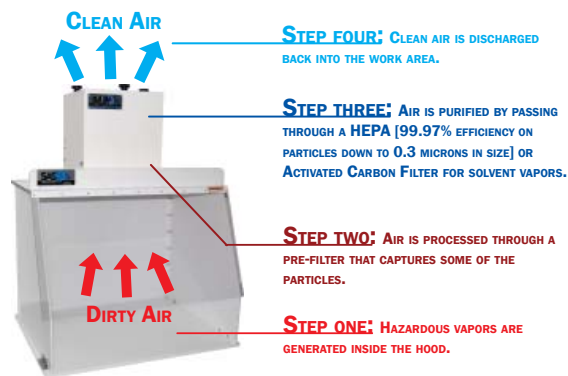
## Sentry Air Systems, Inc.



## Ductless Fume Hood Series



**Ductless Fume Hoods**, also known as **Ductless Containment Hoods**, are self-contained work stations that protect operators from specific harmful airborne contaminants that have been released in the work area. Ductless fume hoods incorporate a powerful fan, which pulls the air through the hood and away from the operator's breathing zone while they work within the hood. Various filter media is used depending on the chemical vapors/and or particulates that are generated (such as HEPA filters or activated carbon). Because the air is scrubbed clean of contaminants by the filter media and then circulated back into the room, no exterior-ducting is necessary in combination with this unit.



### TYPICAL APPLICATIONS:

Powder & Dust Removal  
 Solvent Vapor Control  
 Particulate Removal  
 Pharmaceutical Powder Filling  
 Light Grinding  
 Titrations  
 Acid Metal Etching  
 Anesthesia Containment  
 General Laboratory Use  
 Epoxy Fume Control

### TYPICAL INDUSTRIES:

Laboratory  
 Chemical  
 Manufacturing  
 Pharmaceutical  
 Commercial  
 Industrial  
 Academic

**Sentry Air Systems Ductless Fume Hoods** are built with superior craftsmanship and under stringent quality control measures. These compact and efficient fume hoods feature unique hinged folding side panels, a high-density polyethylene base, a clear polycarbonate top, and a hinged sloping front lid. A powerful fan on top of the fume hood provides a negative airflow across the face of the hood and keeps hazardous fumes, particles, and chemical vapors away from the operator's breathing zone. The fan also pulls the air through application-specific filter media.

There are a variety of filter combinations that can be used in a Sentry Air Systems Ductless Fume Hoods. HEPA filters are used in such applications as pharmaceutical compounding, soldering, chemical powder weighing, and work with silica and has an efficiency of 99.97% at 0.3 microns (efficiency is higher at other sizes). A 95% ASHRAE filter is used in similar applications, but its efficiency is slightly lower: approximately 95% at 0.5 microns.

Sentry Air also offers three types of pre-filters: the flame-resistant carbon pre-filter that is used in soldering and welding applications, a Merv 8 pre-filter that is used with particulate and to protect activated carbon filters in chemical applications, and a Merv 11 Pre-filter that is used for heavier loading applications, but rarely with ductless fume hood applications.

Finally, Sentry Air Systems offers a variety of activated carbon filters for different chemical vapors. Activated carbon will filter out most organic vapors at a high efficiency. Additionally, Sentry Air offers specialty filters: activated carbon filter media that have been impregnated with certain chemicals to neutralize specific chemical groups that are not absorbed very well by standard activated carbon filters. Acid gas filters remove inorganic acid gas vapors such as hydrochloric, sulfuric, nitric, perchloric, and phosphoric. Ammonia filters will remove both ammonia and many ammine-based compounds. There is a special filter for mercury removal and another for aldehydes, including formaldehyde and glutaraldehyde. Filter capacity of the activated carbon varies by chemical. For more information about the filter efficiency and capacity of the chemical you are using, please contact a Sentry Air Specialist. Application Specialists are also available to discuss your particular application and offer suggestions for the most appropriate Ductless Fume Hood and filter media for your purposes.

**Sentry Air Systems offers both Standard and Custom Sized Ductless Fume Hoods**

**Standard Sizes are:**  
**12" 18" 24" 30" 40" 50" 60" 70"**



**Contact Us**  
 1-800-799-4609  
[www.sentryair.com](http://www.sentryair.com)  
[sales@sentryair.com](mailto:sales@sentryair.com)



## Ductless Fume Hood Series

### Why Go Ductless?

There are numerous advantages to utilizing a Ductless Fume Hood as opposed to conventional fume hoods. Ductless hoods are “Green”, cost efficient, and much more mobile than traditional fume hoods.

#### Ductless Hoods are Greener

There are a few reasons ductless containment hoods are greener than their ducted counterparts. Ducted exhaust systems release the contaminated chemical vapors and hazardous fumes directly into the environment; whereas ductless hoods trap hazardous vapors and fumes in filters where they can be removed and disposed of properly. Additionally, ducted exhaust systems require a significant amount of make-up air while they are running which requires energy, especially in hot, cold, and humid environments where the air must be cooled, heated or dehumidified. Since ductless hoods recirculate the air within the room; no energy needs to be spent on heating or cooling make-up air.

#### Cost Efficiency & Minimal Maintenance \$

There are several reasons that Ductless Fume Hoods are an economical choice:

- **Zero Installation Costs.** Ductless fume hoods require minimal assembly or installation and may require none at all. The set-up is simple and the system is basically a “plug and play” solution. Ducted exhaust hoods contain additional costs for ducting and installation and may even require costly engineering design and consultation.
- **Low Maintenance Costs.** Practically the only up-keep cost requirement for ductless containment hoods is the replacement of saturated filter media. Beyond filter changing, all that is required is an occasional quick wipe down cleaning of the hood. These units are basically maintenance-free and don’t require outside assistance. Ducted exhaust systems can require much more maintenance. For example, ducting that is clogged, corroded or too dirty requires time-consuming cleaning of the system.
- **Energy efficiency.** As explained previously, ducted systems must supply the room with make-up air and therefore must spend a lot of money on heating or cooling that air. With Ductless Systems, air is recirculated back into the immediate room after treatment.

#### Mobility →

Ductless Fume Hoods are highly convenient and portable: the hood can be easily relocated by simply picking up and moving it. They can be up and running seconds after re-location. In fact, some ductless fume hoods from Sentry Air Systems have been used as portable field instruments. Moving a ducted exhaust hood would require disconnecting the hood from the ducting system and the designing a new system at the new location as well as complete re-installation of ductwork, which may require the hiring of outside help to complete. Ductless Fume Hoods are up and running again in minutes.

Additionally, ductless fume hoods allow placement and flexibility in hard to duct areas such as the center or bottom level of a several story building.

#### When Exhaust Hoods are Necessary

There are instances when Exhaust Hoods are a more appropriate choice for fume extraction. Ask your Sales Representative for information on Sentry Air’s high-quality line of Exhaust Hoods.



#### Contact Us



1-800-799-4609  
www.sentryair.com  
sales@sentryair.com



Schedule  
Contract GS-07F-0039X



## Ductless Fume Hoods: Standard Sizes

Ductless Fume Hoods are available in a variety of Standard Sizes.

Sentry Air Systems engineers also design and manufacture Custom Hoods when requested.

Standard Sizes:

Model Numbers:

### 18" Wide

### Model SS-218-DCH



#### DIMENSIONS

Outer Dimensions: 18.5" D x 20" W x 19" H  
Interior Dimensions: 18" D x 18" W x 18" H

#### AIR VOLUME

48-100 CFM.  
*Varies with Filter Media.*

#### FILTRATION

Depending on the Application:

- HEPA [up to 99.97% efficient on particles 0.3 microns and larger]
- ASHRAE [up to 95% efficient on particles 0.5 microns and larger]
- ACTIVATED CARBON
- SPECIALTY-BLENDED FILTER MEDIA [i.e. Acid Gas, Mercury, Aldehyde, Ammonia]

### 24" Wide

### Model SS-224-DCH



#### DIMENSIONS

Outer Dimensions: 24" D x 26" W x 25" H  
Interior Dimensions: 23.5" D x 24" W x 24" H

#### AIR VOLUME

48-100 CFM.  
*Varies with Filter Media.*

#### FILTRATION

Depending on the Application:

- HEPA [up to 99.97% efficient on particles 0.3 microns and larger]
- ASHRAE [up to 95% efficient on particles 0.5 microns and larger]
- ACTIVATED CARBON
- SPECIALTY-BLENDED FILTER MEDIA [i.e. Acid Gas, Mercury, Aldehyde, Ammonia]

### 24" Wide- High Flow

### Model SS-324-DCH



#### DIMENSIONS

Outer Dimensions: 24" D x 26" W x 25" H  
Interior Dimensions: 23.5" D x 24" W x 24" H

#### AIR VOLUME

169-480 CFM.  
*Varies with Filter Media.*

#### FILTRATION

Depending on the Application:

- HEPA [up to 99.97% efficient on particles 0.3 microns and larger]
- ASHRAE [up to 95% efficient on particles 0.5 microns and larger]
- ACTIVATED CARBON
- SPECIALTY-BLENDED FILTER MEDIA [i.e. Acid Gas, Mercury, Aldehyde, Ammonia]

### 30" Wide

### Model SS-330-DCH



#### DIMENSIONS

Outer Dimensions.: 24" D x 32" W x 25" H  
Interior Dimensions: 23.5" D x 30" W x 24" H

#### AIR VOLUME

169-480 CFM.  
*Varies with Filter Media.*

#### FILTRATION

Depending on the Application:

- HEPA [up to 99.97% efficient on particles 0.3 microns and larger]
- ASHRAE [up to 95% efficient on particles 0.5 microns and larger]
- ACTIVATED CARBON
- SPECIALTY-BLENDED FILTER MEDIA [i.e. Acid Gas, Mercury, Aldehyde, Ammonia]

## Ductless Fume Hoods: Standard Sizes

Ductless Fume Hoods are available in a variety of Standard Sizes.

Sentry Air Systems engineers also design and manufacture Custom Hoods when requested.

Standard Sizes:

Model Numbers:

### 40" Wide

### Model SS-340-DCH



#### DIMENSIONS

Outer Dimensions: 24" D x 42" W x 25" H  
Interior Dimensions: 23.5" D x 40" W x 24" H

#### AIR VOLUME

169-480 CFM.  
*Varies with Filter Media.*

#### FILTRATION

Depending on the Application:

- HEPA [up to 99.97% efficient on particles 0.3 microns and larger]
- ASHRAE [up to 95% efficient on particles 0.5 microns and larger]
- ACTIVATED CARBON
- SPECIALTY-BLENDED FILTER MEDIA [i.e. Acid Gas, Mercury, Aldehyde, Ammonia]

### 50" Wide

### Model SS-350-DCH



#### DIMENSIONS

Outer Dimensions: 24" D x 52" W x 25" H  
Interior Dimensions: 23.5" D x 50" W x 24" H

#### AIR VOLUME

169-480 CFM.  
*Varies with Filter Media.*

#### FILTRATION

Depending on the Application:

- HEPA [up to 99.97% efficient on particles 0.3 microns and larger]
- ASHRAE [up to 95% efficient on particles 0.5 microns and larger]
- ACTIVATED CARBON
- SPECIALTY-BLENDED FILTER MEDIA [i.e. Acid Gas, Mercury, Aldehyde, Ammonia]

### 60" Wide

### Model SS-360-DCH



#### DIMENSIONS

Outer Dimensions: 24" D x 62" W x 25" H  
Interior Dimensions.: 23.5" D x 60" W x 24" H

#### AIR VOLUME

169-480 CFM.  
*Varies with Filter Media.*

#### FILTRATION

Depending on the Application:

- HEPA [up to 99.97% efficient on particles 0.3 microns and larger]
- ASHRAE [up to 95% efficient on particles 0.5 microns and larger]
- ACTIVATED CARBON
- SPECIALTY-BLENDED FILTER MEDIA [i.e. Acid Gas, Mercury, Aldehyde, Ammonia]

### 70" Wide

### Model SS-370-DCH



#### DIMENSIONS

Outer Dimensions: 24" D x 72" W x 25" H  
Interior Dimensions: 23.5" D x 70" W x 24" H

#### AIR VOLUME

169-480 CFM.  
*Varies with Filter Media.*

#### FILTRATION

Depending on the Application:

- HEPA [up to 99.97% efficient on particles 0.3 microns and larger]
- ASHRAE [up to 95% efficient on particles 0.5 microns and larger]
- ACTIVATED CARBON
- SPECIALTY-BLENDED FILTER MEDIA [i.e. Acid Gas, Mercury, Aldehyde, Ammonia]

## Ductless Fume Hood- 18" Wide



### Model # SS-218-DCH

### Product Specifications

#### HOOD DIMENSIONS

Outer Dimensions: 18.5" D x 20" W x 19" H  
 Interior Dimensions: 18" D x 18" W x 18" H

#### HOOD MATERIAL

Sides: 0.250" White Acrylic  
 Base: 0.500" White High Density Polyethylene  
 Top: 0.500" Clear Polycarbonate  
 Front: 0.250" Clear Polycarbonate

#### BLOWER DIMENSIONS

10.5" L x 8" W x 8.5" H

#### BLOWER MATERIAL

16 ga. carbon steel w/ polyester epoxy coating on all surfaces

#### WEIGHT

Approx. 35 lbs.

#### APPROXIMATE AIR VOLUME

48-100 CFM. *Varies with Filter Media.*

#### APPROXIMATE INLET VELOCITIES

100 FPM. *Varies with Curtains & Filter Media.*

#### ELECTRICAL

115/1/60, Approx. 0.3 Amps  
 220/1/50, Approx. 0.2 Amps  
 8' grounded power cord with NEMA 5-15P Plug

#### SOUND LEVEL

55 DBA at 3'

#### MAX. OPERATING TEMPERATURE

Not to exceed 170 degrees Fahrenheit

#### FILTRATION

Depending on the Application:

- HEPA [up to 99.97% efficient on particles 0.3 microns and larger]
- ASHRAE [up to 95% efficient on particles 0.5 microns and larger]
- ACTIVATED CARBON
- SPECIALTY-BLENDED FILTER MEDIA [i.e. Acid Gas, Mercury, Aldehyde, Ammonia]

#### WARRANTY

Limited two-year warranty from date of shipment on defects due to materials or workmanship.  
 PATENT #5,843,197



Shown with Outer Dimensions  
 Measurements are Approximate

### Product Features

- Clear Anti-Static Vinyl Curtains *Included*
- Highly Portable and Lightweight
- Quiet Operation
- Long Filter Life
- Simple, Quick "No Tool" Filter Change
- Sturdy Construction
- Reliable, Low Maintenance Operation
- Custom Sizes Available
- Other Standard Sizes: 12", 24", 30", 40", 50", 60", 70"
- Attractive Appearance
- Optional Variable Speed Controller
- Optional Fluorescent Light
- Optional Hour Counter
- Optional Spill Tray

This 18" Wide Mini Ductless Fume Hood is one of the most compact negative-pressure hoods on the market. It is designed to protect the operator and environment from hazardous fumes or particulate generated from applications performed within the hood. Its small structure makes it an ideal solution and addition to a lab or room that has limited space or requires only a small containment area. This light-weight hood is also optimal for field-testing applications that require reliable and easily transportable equipment. Typical uses for this fume hood include chemical fume control, pharmaceutical compounding containment, soldering applications, dust removal, biological applications, and many more applications that require the removal of fumes and dust.

The 18" Wide Mini Ductless Fume Hood uses an energy-efficient fan to pull fumes and particulate from the hood into the filter chamber, which is composed of a variety of filter media that is selected depending on the application being performed. This filter media includes HEPA [up to 99.97% efficient on particles 0.3 microns and larger], ASHRAE [up to 95% efficient on particles 0.5 microns and larger], Activated Carbon, and specialty-blended filtration [i.e. Acid Gas, Mercury, Aldehyde, Ammonia].

The 18" Wide Mini Ductless Fume Hood can provide an effective and economical solution for many commercial, medical, laboratory and industrial applications that require a relatively small containment area. For additional visibility, a transparent version is available at extra cost.



1-800-799-4609  
[www.sentryair.com](http://www.sentryair.com)  
[sales@sentryair.com](mailto:sales@sentryair.com)



# Ductless Fume Hood- 24" Wide



## Model # SS-224-DCH

### Product Specifications

#### HOOD DIMENSIONS

Outer Dimensions: 24" D x 26" W x 25" H  
 Interior Dimensions: 23.5" D x 24" W x 24" H

#### HOOD MATERIAL

Sides: 0.250" White Acrylic  
 Base: 0.500" White High Density Polyethylene  
 Top: 0.500" Clear Polycarbonate  
 Front: 0.250" Clear Polycarbonate

#### BLOWER DIMENSIONS

10.5" L x 8" W x 8.5" H

#### BLOWER MATERIAL

16 ga. carbon steel w/ polyester epoxy coating on all surfaces

#### WEIGHT

Approx. 55 lbs.

#### APPROXIMATE AIR VOLUME

48-100 CFM. *Varies with Filter Media.*

#### APPROXIMATE INLET VELOCITIES

100 FPM. *Varies with Curtains & Filter Media.*

#### ELECTRICAL

115/1/60, Approx. 0.3 Amps  
 220/1/50, Approx. 0.2 Amps  
 8' grounded power cord with NEMA 5-15P Plug

#### SOUND LEVEL

55 DBA at 3'

#### MAX. OPERATING TEMPERATURE

Not to exceed 170 degrees Fahrenheit

#### FILTRATION

Depending on the Application:

- HEPA [up to 99.97% efficient on particles 0.3 microns and larger]
- ASHRAE [up to 95% efficient on particles 0.5 microns and larger]
- ACTIVATED CARBON
- SPECIALTY-BLENDED FILTER MEDIA [i.e. Acid Gas, Mercury, Aldehyde, Ammonia]

#### WARRANTY

Limited two-year warranty from date of shipment on defects due to materials or workmanship.  
 PATENT #5,843,197



Shown with Outer Dimensions  
 Measurements are Approximate

## Product Features

- Clear anti-static vinyl curtains *Included*
- Simple, Quick "No Tool" Filter Change
- Optional Variable Speed Controller
- Velometer *Included*
- Custom Sizes Available
- Optional Fluorescent Light
- Quiet Operation
- Other Standard Sizes: 12", 18", 30", 40", 50", 60", 70"
- Optional Spill Tray
- Highly Portable and Lightweight
- Reliable, Low Maintenance Operation
- Attractive Appearance
- Long Filter Life

The **24" Wide Ductless Fume Hood** is designed to protect the operator and environment from hazardous fumes or particulate generated from applications performed within the hood. Its small structure makes it an ideal solution and addition to a lab or room that has limited space or requires only a small containment area. Typical uses for this fume hood include chemical fume control, pharmaceutical compounding containment, soldering applications, light dust removal, biological applications, and many more applications that require the removal of fumes and dust.

The 24" Wide Ductless Fume Hood uses an energy-efficient fan that pulls fumes and particulate from the hood into the filter chamber, which is composed of a variety of filter media that is selected depending on the application being performed. This filter media includes HEPA [up to 99.97% efficient on particles 0.3 microns and larger], ASHRAE [up to 95% efficient on particles 0.5 microns and larger], Activated Carbon, and specialty-blended filtration [i.e. Acid Gas, Mercury, Aldehyde, Ammonia].

The **24" Wide Ductless Fume Hood** can provide an effective and economical solution for many commercial, medical, laboratory and industrial applications that require a relatively small containment area. For additional visibility, a transparent version is available at extra cost.



1-800-799-4609  
[www.sentryair.com](http://www.sentryair.com)  
[sales@sentryair.com](mailto:sales@sentryair.com)



## Ductless Fume Hood- 24" Wide



### Model # SS-324-DCH

#### Product Specifications

##### HOOD DIMENSIONS

Outer Dimensions: 24" D x 26" W x 25" H  
 Interior Dimensions: 23.5" D x 24" W x 24" H

##### HOOD MATERIAL

Sides: 0.250" White Acrylic  
 Base: 0.500" White High Density Polyethylene  
 Top: 0.500" Clear Polycarbonate  
 Front: 0.250" Clear Polycarbonate

##### BLOWER DIMENSIONS

15.5" L x 13" W x 14.5" H

##### BLOWER MATERIAL

16 ga. carbon steel w/ polyester epoxy coating on all surfaces

##### WEIGHT

Approx. 95 lbs.

##### APPROXIMATE AIR VOLUME

169-480 CFM. *Varies with Filter Media.*

##### APPROXIMATE INLET VELOCITIES

20 FPM - 200 FPM with Variable Speed Controller.  
 Also Varies with Curtains and Filter Media.

##### ELECTRICAL

115/1/60, 2 amps  
 220/1/50, 0.75 amps  
 8' grounded power cord with NEMA 5-15P Plug

##### SOUND LEVEL

61 to 66 dba (Blower Speed: Low to High)

##### MAX. OPERATING TEMPERATURE

Not to exceed 170 degrees Fahrenheit

##### FILTRATION

- Depending on the Application:
- HEPA [up to 99.97% efficient on particles 0.3 microns and larger]
  - ASHRAE [up to 95% efficient on particles 0.5 microns and larger]
  - ACTIVATED CARBON
  - SPECIALTY-BLENDED FILTER MEDIA [i.e. Acid Gas, Mercury, Aldehyde, Ammonia]

##### WARRANTY

Limited two-year warranty from date of shipment on defects due to materials or workmanship.  
 PATENT #5,843,197



Shown with Outer Dimensions  
 Measurements are Approximate

### Product Features

- Variable Speed Controller *Included*
- Velometer *Included*
- Quiet Operation
- Long Filter Life
- Simple, Quick "No Tool" Filter Change
- Portable and Lightweight
- Reliable, Low Maintenance Operation
- Custom Sizes Available
- Other Standard Sizes: 12", 18", 30", 40", 50", 60", 70"
- Attractive Appearance
- Optional Magnehelic Gage
- Optional Fluorescent Light
- Optional Clear Anti-Static Vinyl Curtains
- Optional Hour Counter
- Optional Spill Tray

The 24" Wide [High Flow] Ductless Fume Hood is designed to protect the operator and environment from hazardous fumes or particulate generated from applications performed within the hood. Its small structure makes it an ideal solution and addition to a lab or room that has limited space or requires only a small containment area. Typical uses for this fume hood include chemical fume control, pharmaceutical compounding containment, soldering applications, light dust removal, biological applications, and many more applications that require the removal of fumes and dust.

The 24" Wide Ductless Fume Hood uses a powerful fan that directs fumes and particulate from the hood into the filter chamber, which is composed of a variety of filter media that is selected depending on the application being performed. This filter media includes HEPA [up to 99.97% efficient on particles 0.3 microns and larger], ASHRAE [up to 95% efficient on particles 0.5 microns and larger], Activated Carbon, and specialty-blended filtration [i.e. Acid Gas, Mercury, Aldehyde, Ammonia].

The 24" Wide Ductless Fume Hood can provide an effective and economical solution for many commercial, medical, laboratory and industrial applications that require a relatively small containment area. For additional visibility, a transparent version is available at extra cost.



1-800-799-4609  
[www.sentryair.com](http://www.sentryair.com)  
[sales@sentryair.com](mailto:sales@sentryair.com)



## Ductless Fume Hood- 30" Wide



### Model # SS-330-DCH

### Product Specifications

#### HOOD DIMENSIONS

Outer Dimensions: 24" D x 32" W x 25" H  
 Interior Dimensions: 23.5" D x 30" W x 24" H

#### HOOD MATERIAL

Sides: 0.250" White Acrylic  
 Base: 0.500" White High Density Polyethylene  
 Top: 0.500" Clear Polycarbonate  
 Front: 0.250" Clear Polycarbonate

#### BLOWER DIMENSIONS

15.5" L x 13" W x 14.5" H

#### BLOWER MATERIAL

16 ga. carbon steel w/ polyester epoxy coating on all surfaces

#### WEIGHT

Approx. 100 lbs.

#### APPROXIMATE AIR VOLUME

169-480 CFM. *Varies with Filter Media.*

#### APPROXIMATE INLET VELOCITIES

20 FPM - 200 FPM with Variable Speed Controller.  
 Also *Varies with Curtains and Filter Media.*

#### ELECTRICAL

115/1/60, 2 amps  
 220/1/50, 0.75 amps  
 8' grounded power cord with NEMA 5-15P Plug

#### SOUND LEVEL

61 to 66 dba (Blower Speed: Low to High)

#### MAX. OPERATING TEMPERATURE

Not to exceed 170 degrees Fahrenheit

#### FILTRATION

- Depending on the Application:
- HEPA [up to 99.97% efficient on particles 0.3 microns and larger]
  - ASHRAE [up to 95% efficient on particles 0.5 microns and larger]
  - ACTIVATED CARBON
  - SPECIALTY-BLENDED FILTER MEDIA [i.e. Acid Gas, Mercury, Aldehyde, Ammonia]

#### WARRANTY

Limited two-year warranty from date of shipment on defects due to materials or workmanship.  
 PATENT #5,843,197



Shown with Outer Dimensions  
 Measurements are Approximate

### Product Features

- Variable Speed Controller *Included*
- Fluorescent Light *Included*
- Velometer *Included*
- Quiet Operation
- Long Filter Life
- Simple, Quick "No Tool" Filter Change
- Reliable, Low Maintenance Operation
- Custom Sizes Available
- Other Standard Sizes: 12", 18", 24", 40", 50", 60", 70"
- Attractive Appearance
- Optional Magnehelic Gage
- Optional Clear Anti-Static Vinyl Curtains
- Optional Hour Counter
- Optional Spill Tray

The 30" Wide Ductless Fume Hood combines powerful air flow with a sturdy and compact enclosure for optimal respiratory and environmental protection. This fume hood is designed to pull harmful particulate up and away from the operator's breathing zone and into the filter chamber. Depending on the application, this chamber houses either HEPA filtration [up to 99.97% efficient on particles 0.3 microns and larger and made with flame-retardant materials], ASHRAE filtration [up to 95% efficient on particles 0.5 microns and larger and made with flame-retardant materials] Activated Carbon, or specialty-blended filter media [i.e. Acid Gas, Mercury, Aldehyde, Ammonia]. Variable Speed Control and a Fluorescent Light come standard with this unit.

Typical uses for this fume hood include chemical fume control, pharmaceutical compounding containment, soldering applications, light dust removal, biological applications, solvent or epoxy use, and many more applications that require the removal of fumes and particulate.

The 30" Wide Ductless Fume Hood provides a portable, energy efficient, and economical solution for many commercial, medical, laboratory and industrial applications that require a containment hood. For additional visibility, a transparent version is available at extra cost.



1-800-799-4609  
[www.sentryair.com](http://www.sentryair.com)  
[sales@sentryair.com](mailto:sales@sentryair.com)



## Ductless Fume Hood- 40" Wide



### Model # SS-340-DCH

### Product Specifications

#### HOOD DIMENSIONS

Outer Dimensions: 24" D x 42" W x 25" H  
 Interior Dimensions: 23.5" D x 40" W x 24" H

#### HOOD MATERIAL

Sides: 0.250" White Acrylic  
 Base: 0.500" White High Density Polyethylene  
 Top: 0.500" Clear Polycarbonate  
 Front: 0.250" Clear Polycarbonate

#### BLOWER DIMENSIONS

15.5" L x 13" W x 14.5" H

#### BLOWER MATERIAL

16 ga. carbon steel w/ polyester epoxy coating on all surfaces

#### WEIGHT

Approx. 115 lbs.

#### APPROXIMATE AIR VOLUME

169-480 CFM. *Varies with Filter Media.*

#### APPROXIMATE INLET VELOCITIES

20 FPM - 200 FPM with Variable Speed Controller.  
 Also Varies with Curtains and Filter Media.

#### ELECTRICAL

115/1/60, 2 amps  
 220/1/50, 0.75 amps  
 8' grounded power cord with NEMA 5-15P Plug

#### SOUND LEVEL

61 to 66 dba (Blower Speed: Low to High)

#### MAX. OPERATING TEMPERATURE

Not to exceed 170 degrees Fahrenheit

#### FILTRATION

Depending on the Application:

- HEPA [up to 99.97% efficient on particles 0.3 microns and larger]
- ASHRAE [up to 95% efficient on particles 0.5 microns and larger]
- ACTIVATED CARBON
- SPECIALTY-BLENDED FILTER MEDIA [i.e. Acid Gas, Mercury, Aldehyde, Ammonia]

#### WARRANTY

Limited two-year warranty from date of shipment on defects due to materials or workmanship.  
 PATENT #5,843,197



Shown with Outer Dimensions  
 Measurements are Approximate

### Product Features

- Variable Speed Controller *Included*
- Fluorescent Light *Included*
- Velometer *Included*
- Quiet Operation
- Long Filter Life
- Simple, Quick "No Tool" Filter Change
- Reliable, Low Maintenance Operation
- Custom Sizes Available
- Other Standard Sizes: 12", 18", 24", 30", 50", 60", 70"
- Attractive Appearance
- Optional Magnehelic Gage
- Optional Clear Anti-Static Vinyl Curtains
- Optional Hour Counter
- Optional Spill Tray

The **40" Wide Ductless Fume Hood** combines powerful air flow with a sturdy and compact enclosure for optimal respiratory and environmental protection. This fume hood is designed to pull harmful particulate up and away from the operator's breathing zone and into the filter chamber. Depending on the application, this chamber houses either HEPA filtration [up to 99.97% efficient on particles 0.3 microns and larger and made with flame-retardant materials], ASHRAE filtration [up to 95% efficient on particles 0.5 microns and larger and made with flame-retardant materials] Activated Carbon, or specialty-blended filter media [i.e. Acid Gas, Mercury, Aldehyde, Ammonia]. Variable Speed Control and a Fluorescent Light come standard with this unit.

Typical uses for this fume hood include chemical fume control, pharmaceutical compounding containment, soldering applications, light dust removal, biological applications, solvent or epoxy use, and many more applications that require the removal of fumes and particulate.

The **40" Wide Ductless Fume Hood** provides a portable, energy efficient, and economical solution for many commercial, medical, laboratory and industrial applications that require a containment hood. For additional visibility, a transparent version is available at extra cost.



1-800-799-4609  
[www.sentryair.com](http://www.sentryair.com)  
[sales@sentryair.com](mailto:sales@sentryair.com)



## Ductless Fume Hood- 50" Wide



### Model # SS-350-DCH

### Product Specifications

#### HOOD DIMENSIONS

Outer Dimensions: 24" D x 52" W x 25" H  
 Interior Dimensions: 23.5" D x 50" W x 24" H

#### HOOD MATERIAL

Sides: 0.250" White Acrylic  
 Base: 0.500" White High Density Polyethylene  
 Top: 0.500" Clear Polycarbonate  
 Front: 0.250" Clear Polycarbonate

#### BLOWER DIMENSIONS

15.5" L x 13" W x 14.5" H

#### BLOWER MATERIAL

16 ga. carbon steel w/ polyester epoxy coating on all surfaces

#### WEIGHT

Approx. 125 lbs.

#### APPROXIMATE AIR VOLUME

169-480 CFM. *Varies with Filter Media.*

#### APPROXIMATE INLET VELOCITIES

20 FPM - 200 FPM with Variable Speed Controller.  
 Also Varies with Curtains and Filter Media.

#### ELECTRICAL

115/1/60, 2 amps  
 220/1/50, 0.75 amps  
 8' grounded power cord with NEMA 5-15P Plug

#### SOUND LEVEL

61 to 66 dba (Blower Speed: Low to High)

#### MAX. OPERATING TEMPERATURE

Not to exceed 170 degrees Fahrenheit

#### FILTRATION

Depending on the Application:

- HEPA [up to 99.97% efficient on particles 0.3 microns and larger]
- ASHRAE [up to 95% efficient on particles 0.5 microns and larger]
- ACTIVATED CARBON
- SPECIALTY-BLENDED FILTER MEDIA [i.e. Acid Gas, Mercury, Aldehyde, Ammonia]

#### WARRANTY

Limited two-year warranty from date of shipment on defects due to materials or workmanship.  
 PATENT #5,843,197



Shown with Outer Dimensions  
 Measurements are Approximate

## Product Features

- Variable Speed Controller *Included*
- Fluorescent Light *Included*
- Velometer *Included*
- Quiet Operation
- Long Filter Life
- Simple, Quick "No Tool" Filter Change
- Reliable, Low Maintenance Operation
- Custom Sizes Available
- Other Standard Sizes: 12", 18", 24", 30", 40", 60", 70"
- Attractive Appearance
- Optional Magnehelic Gage
- Optional Clear Anti-Static Vinyl Curtains
- Optional Hour Counter
- Optional Spill Tray

The 50" Wide Ductless Fume Hood combines powerful air flow with a sturdy and compact enclosure for optimal respiratory and environmental protection. This fume hood is designed to pull harmful particulate up and away from the operator's breathing zone and into the filter chamber. Depending on the application, this chamber houses either HEPA filtration [up to 99.97% efficient on particles 0.3 microns and larger and made with flame-retardant materials], ASHRAE filtration [up to 95% efficient on particles 0.5 microns and larger and made with flame-retardant materials] Activated Carbon, or specialty-blended filter media [i.e. Acid Gas, Mercury, Aldehyde, Ammonia]. Variable Speed Control and a Fluorescent Light come standard with this unit.

Typical uses for this fume hood include chemical fume control, pharmaceutical compounding containment, soldering applications, light dust removal, biological applications, solvent or epoxy use, and many more applications that require the removal of fumes and particulate.

The 50" Ductless Fume Hood provides a portable, energy efficient, and economical solution for many commercial, medical, laboratory and industrial applications that require a containment hood. For additional visibility, a transparent version is available at extra cost.



1-800-799-4609  
[www.sentryair.com](http://www.sentryair.com)  
[sales@sentryair.com](mailto:sales@sentryair.com)



## Ductless Fume Hood- 60" Wide



### Model # SS-360-DCH

### Product Specifications

#### HOOD DIMENSIONS

Outer Dimensions: 24" D x 62" W x 25" H  
 Interior Dimensions: 23.5" D x 60" W x 24" H

#### HOOD MATERIAL

Sides: 0.250" White Acrylic  
 Base: 0.500" White High Density Polyethylene  
 Top: 0.500" Clear Polycarbonate  
 Front: 0.250" Clear Polycarbonate

#### BLOWER DIMENSIONS

15.5" L x 13" W x 14.5" H

#### BLOWER MATERIAL

16 ga. carbon steel w/ polyester epoxy coating on all surfaces

#### WEIGHT

Approx. 140 lbs.

#### APPROXIMATE AIR VOLUME

169-480 CFM. *Varies with Filter Media.*

#### APPROXIMATE INLET VELOCITIES

20 FPM - 200 FPM with Variable Speed Controller.  
 Also Varies with Curtains and Filter Media.

#### ELECTRICAL

115/1/60, 2 amps  
 220/1/50, 0.75 amps  
 8' grounded power cord with NEMA 5-15P Plug

#### SOUND LEVEL

61 to 66 dba (Blower Speed: Low to High)

#### MAX. OPERATING TEMPERATURE

Not to exceed 170 degrees Fahrenheit

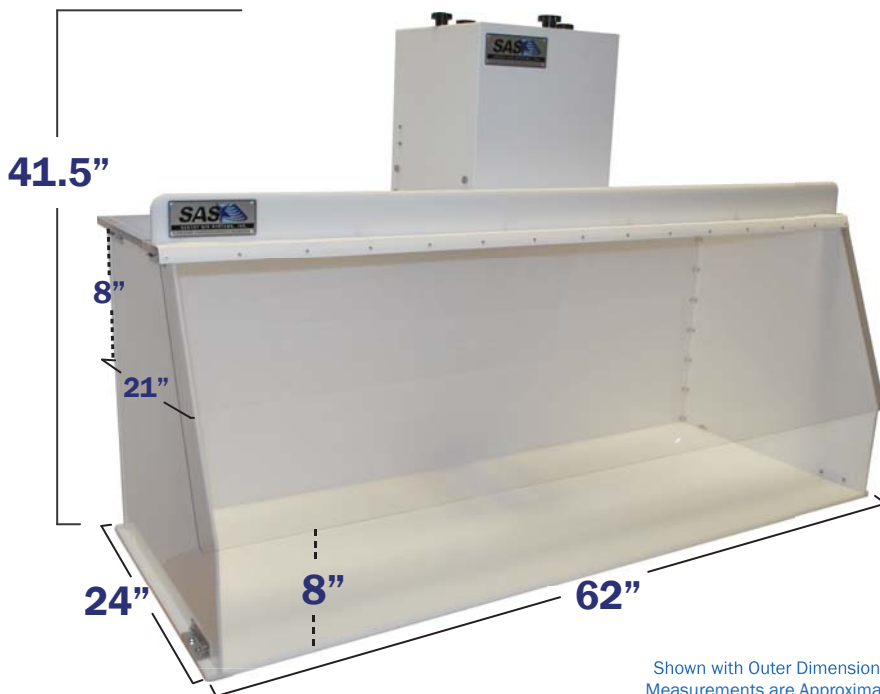
#### FILTRATION

Depending on the Application:

- HEPA [up to 99.97% efficient on particles 0.3 microns and larger]
- ASHRAE [up to 95% efficient on particles 0.5 microns and larger]
- ACTIVATED CARBON
- SPECIALTY-BLENDED FILTER MEDIA [i.e. Acid Gas, Mercury, Aldehyde, Ammonia]

#### WARRANTY

Limited two-year warranty from date of shipment on defects due to materials or workmanship.  
 PATENT #5,843,197



Shown with Outer Dimensions  
 Measurements are Approximate

### Product Features

- Variable Speed Controller *Included*
- Fluorescent Light *Included*
- Velometer *Included*
- Quiet Operation
- Long Filter Life
- Simple, Quick "No Tool" Filter Change
- Reliable, Low Maintenance Operation
- Custom Sizes Available
- Other Standard Sizes: 12", 18", 24", 30", 40", 50", 70"
- Attractive Appearance
- Optional Magnehelic Gage
- Optional Clear Anti-Static Vinyl Curtains
- Optional Hour Counter
- Optional Spill Tray

The **60" Wide Ductless Fume Hood** combines powerful air flow with a sturdy and compact enclosure for optimal respiratory and environmental protection. This fume hood is designed to pull harmful particulate up and away from the operator's breathing zone and into the filter chamber. Depending on the application, this chamber houses either HEPA filtration [up to 99.97% efficient on particles 0.3 microns and larger and made with flame-retardant materials], ASHRAE filtration [up to 95% efficient on particles 0.5 microns and larger and made with flame-retardant materials] Activated Carbon, or specialty-blended filter media [i.e. Acid Gas, Mercury, Aldehyde, Ammonia]. Variable Speed Control and a Fluorescent Light come standard with this unit.

Typical uses for this fume hood include chemical fume control, pharmaceutical compounding containment, soldering applications, light dust removal, biological applications, solvent or epoxy use, and many more applications that require the removal of fumes and particulate.

The **60" Wide Ductless Fume Hood** provides a portable, energy efficient, and economical solution for many commercial, medical, laboratory and industrial applications that require a containment hood. For additional visibility, a transparent version is available at extra cost.



1-800-799-4609  
[www.sentryair.com](http://www.sentryair.com)  
[sales@sentryair.com](mailto:sales@sentryair.com)



## Ductless Fume Hood- 70" Wide



### Model # SS-370-DCH

### Product Specifications

#### HOOD DIMENSIONS

Outer Dimensions: 24" D x 72" W x 25" H  
 Interior Dimensions: 23.5" D x 70" W x 24" H

#### HOOD MATERIAL

Sides: 0.250" White Acrylic  
 Base: 0.500" White High Density Polyethylene  
 Top: 0.500" Clear Polycarbonate  
 Front: 0.250" Clear Polycarbonate

#### BLOWER DIMENSIONS

15.5" L x 13" W x 14.5" H

#### BLOWER MATERIAL

16 ga. carbon steel w/ polyester epoxy coating on all surfaces

#### WEIGHT

Approx. 155 lbs.

#### APPROXIMATE AIR VOLUME

169-480 CFM. *Varies with Filter Media.*

#### APPROXIMATE INLET VELOCITIES

20 FPM - 200 FPM with Variable Speed Controller.  
 Also Varies with Curtains and Filter Media.

#### ELECTRICAL

115/1/60, 2 amps  
 220/1/50, 0.75 amps  
 8' grounded power cord with NEMA 5-15P Plug

#### SOUND LEVEL

61 to 66 dba (Blower Speed: Low to High)

#### MAX. OPERATING TEMPERATURE

Not to exceed 170 degrees Fahrenheit

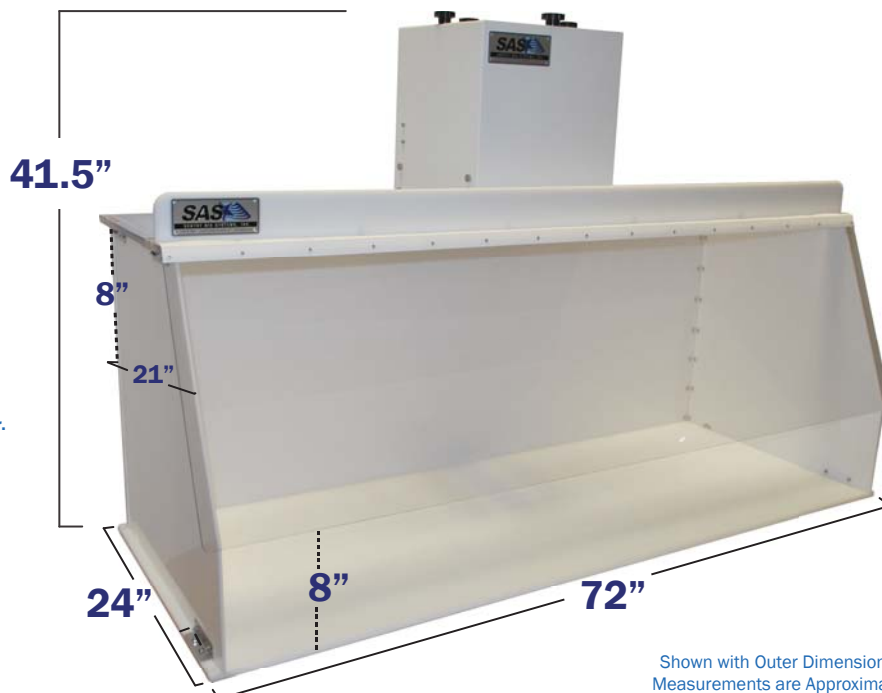
#### FILTRATION

Depending on the Application:

- HEPA [up to 99.97% efficient on particles 0.3 microns and larger]
- ASHRAE [up to 95% efficient on particles 0.5 microns and larger]
- ACTIVATED CARBON
- SPECIALTY-BLENDED FILTER MEDIA [i.e. Acid Gas, Mercury, Aldehyde, Ammonia]

#### WARRANTY

Limited two-year warranty from date of shipment on defects due to materials or workmanship.  
 PATENT #5,843,197



Shown with Outer Dimensions  
 Measurements are Approximate

### Product Features

- Variable Speed Controller *Included*
- Clear Anti-Static Vinyl Curtains *Included*
- Fluorescent Light *Included*
- Velometer *Included*
- Quiet Operation
- Long Filter Life
- Simple, Quick "No Tool" Filter Change
- Reliable, Low Maintenance Operation
- Custom Sizes Available
- Other Standard Sizes: 12", 18", 24", 30", 40", 50", 60"
- Optional Magnehelic Gage
- Optional Hour Counter
- Optional Spill Tray

The 70" Wide Ductless Fume Hood combines powerful air flow with a sturdy and compact enclosure for optimal respiratory and environmental protection. This fume hood is designed to pull harmful particulate up and away from the operator's breathing zone and into the filter chamber. Depending on the application, this chamber houses either HEPA filtration [up to 99.97% efficient on particles 0.3 microns and larger and made with flame-retardant materials], ASHRAE filtration [up to 95% efficient on particles 0.5 microns and larger and made with flame-retardant materials] Activated Carbon, or specialty-blended filter media [i.e. Acid Gas, Mercury, Aldehyde, Ammonia]. Variable Speed Control and a Fluorescent Light come standard with this unit.

Typical uses for this fume hood include chemical fume control, pharmaceutical compounding containment, soldering applications, light dust removal, biological applications, solvent or epoxy use, and many more applications that require the removal of fumes and particulate.

The 70" Wide Ductless Fume Hood provides a portable, energy efficient, and economical solution for many commercial, medical, laboratory and industrial applications that require a containment hood. For additional visibility, a transparent version is available at extra cost.



1-800-799-4609  
[www.sentryair.com](http://www.sentryair.com)  
[sales@sentryair.com](mailto:sales@sentryair.com)

