

Exhaust Hood- 18" Wide



Model # SS-218-E

Product Specifications

HOOD DIMENSIONS

Outer Dimensions.: 18.5" D x 20" W x 19" H
 Interior Dimensions: 18" D x 18" W x 18" H

HOOD MATERIAL

Sides: 0.250" White Acrylic
 Base: 0.500" White High Density Polyethylene
 Top: 0.500" Clear Polycarbonate
 Front: 0.250" Clear Polycarbonate

EXHAUST CONNECTION

4" O.D. Outlet Collar
 Ducting & Fan Not Included with this Product

WEIGHT

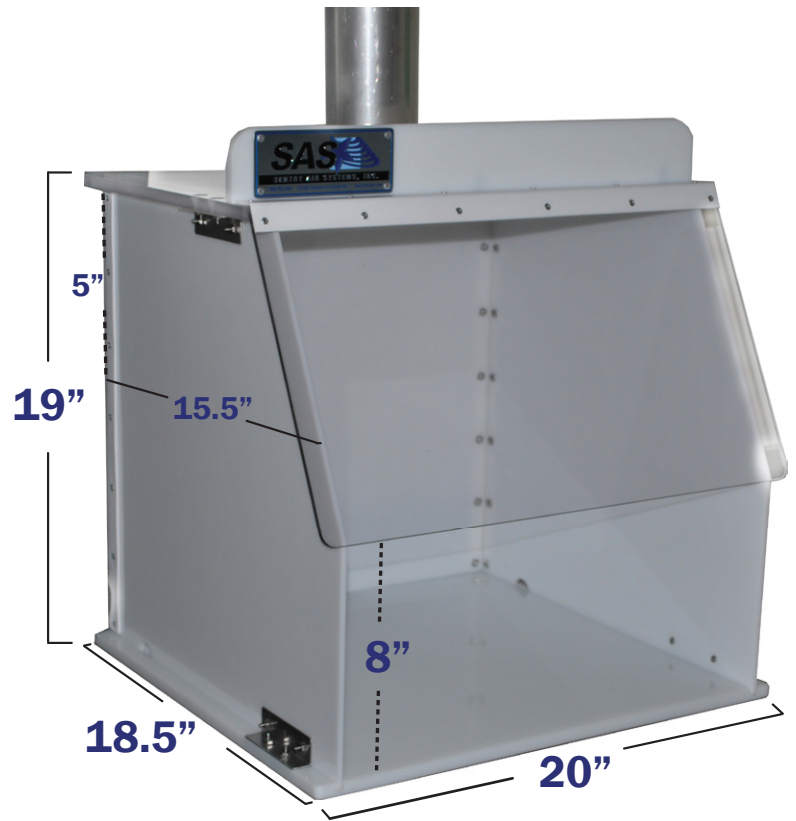
Approx. 25 lbs.

MAX. OPERATING TEMPERATURE

Not to exceed 170 degrees Fahrenheit

WARRANTY

Limited two-year warranty from date of shipment on defects due to materials or workmanship.
 PATENT #5,843,197



Shown with Outer Dimensions
 Measurements are Approximate



Product Features

- 33W Fluorescent Light Included
- Custom Sizes & Configurations Available
- Low Maintenance
- Sturdy Construction
- Other Standard Sizes: 24", 30", 40", 50", 60", 70"
- Attractive Appearance

Sentry Air's **18" Wide Ducted Exhaust Hood** may be an excellent choice for industrial applications that require a compact, exterior-ducting fume hood. This bench-top unit features unique hinged folding side panels, a high-density polyethylene base, a clear polycarbonate top, and a polycarbonate hinged sloping front lid. It is extremely compact and light weight. Typically, exhaust hoods may be used in chemical laboratories- especially those dealing with highly flammable, toxic, or corrosive chemicals, powder and capsule filling facilities, hazardous biological applications, nuclear testing facilities (with radioactive materials), and in a variety of other processes that require fume extraction.

The **18" Wide Ducted Exhaust Hood** can be an effective and economical tool for air quality enhancement in many commercial, chemical, medical, laboratory, and industrial applications.

This unit includes a 4" Outlet Collar and does not include ducting or fan. For additional visibility, a transparent version is available at extra cost.



1-800-799-4609
www.sentryair.com
sales@sentryair.com

